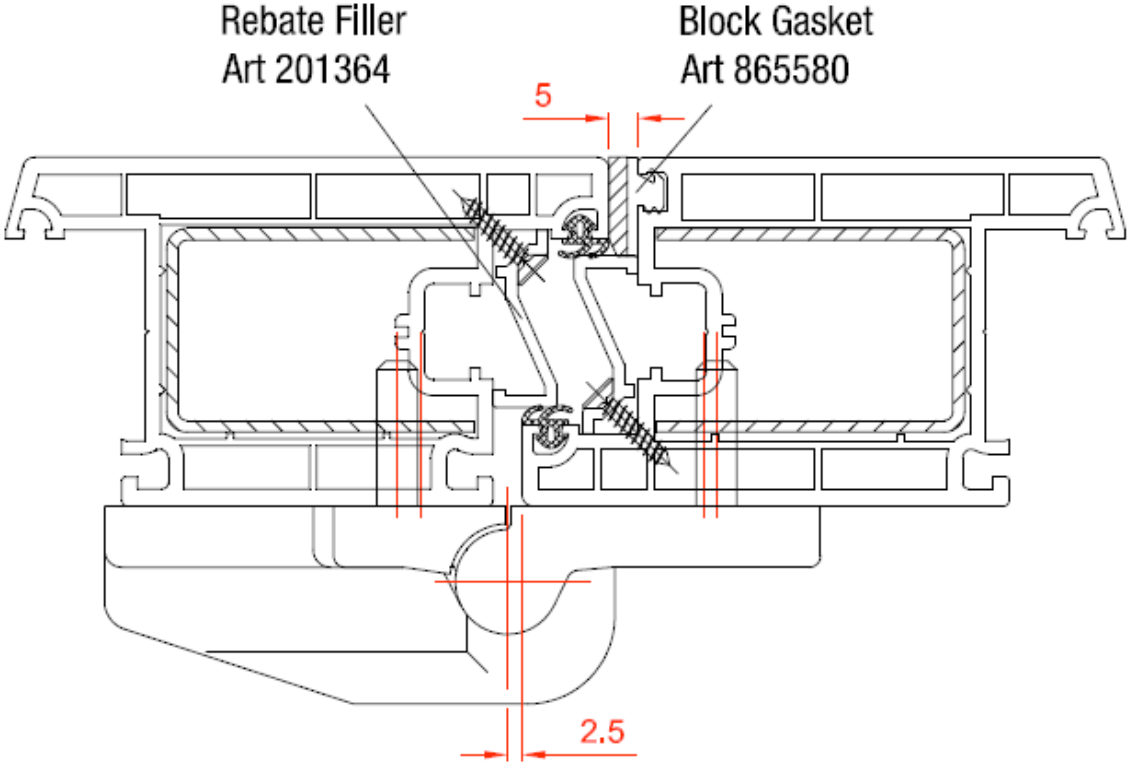


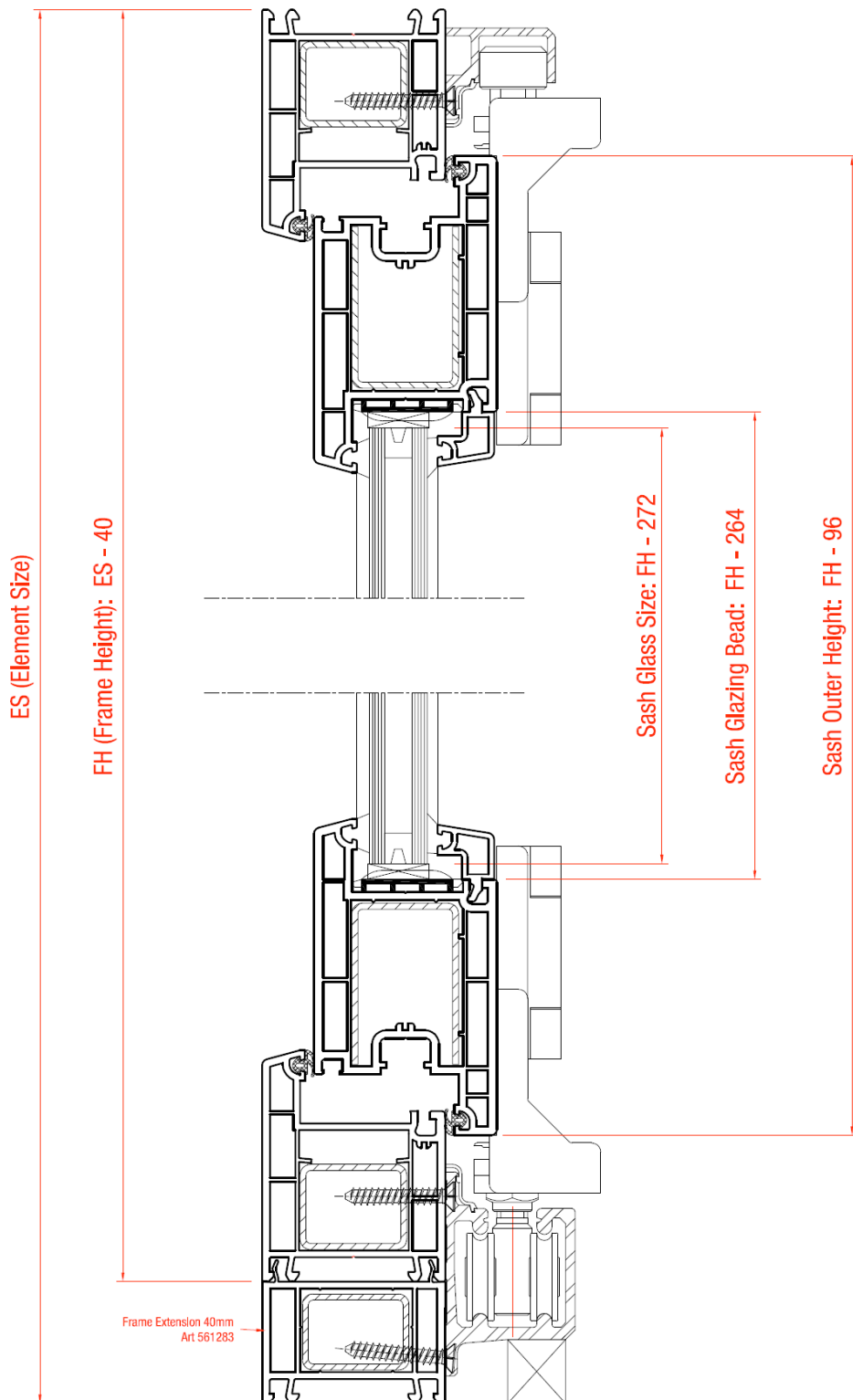
Multifold Door



MULTI-FOLD DOOR

VERTICAL ELEVATION REDUCTIONS

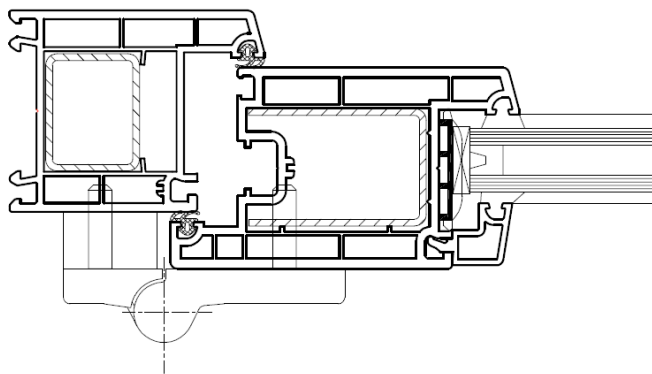
BOTTOM RUNNING CONFIGURATION WITH SIEGENIA-AUBI HARDWARE



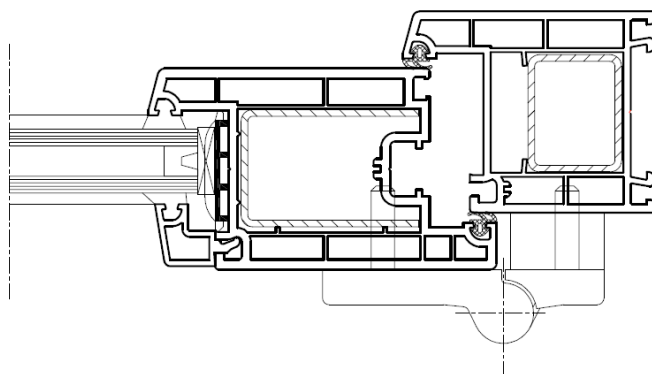
MULTI-FOLD DOOR

DETAIL DRAWINGS
SEGMENT A & A

A

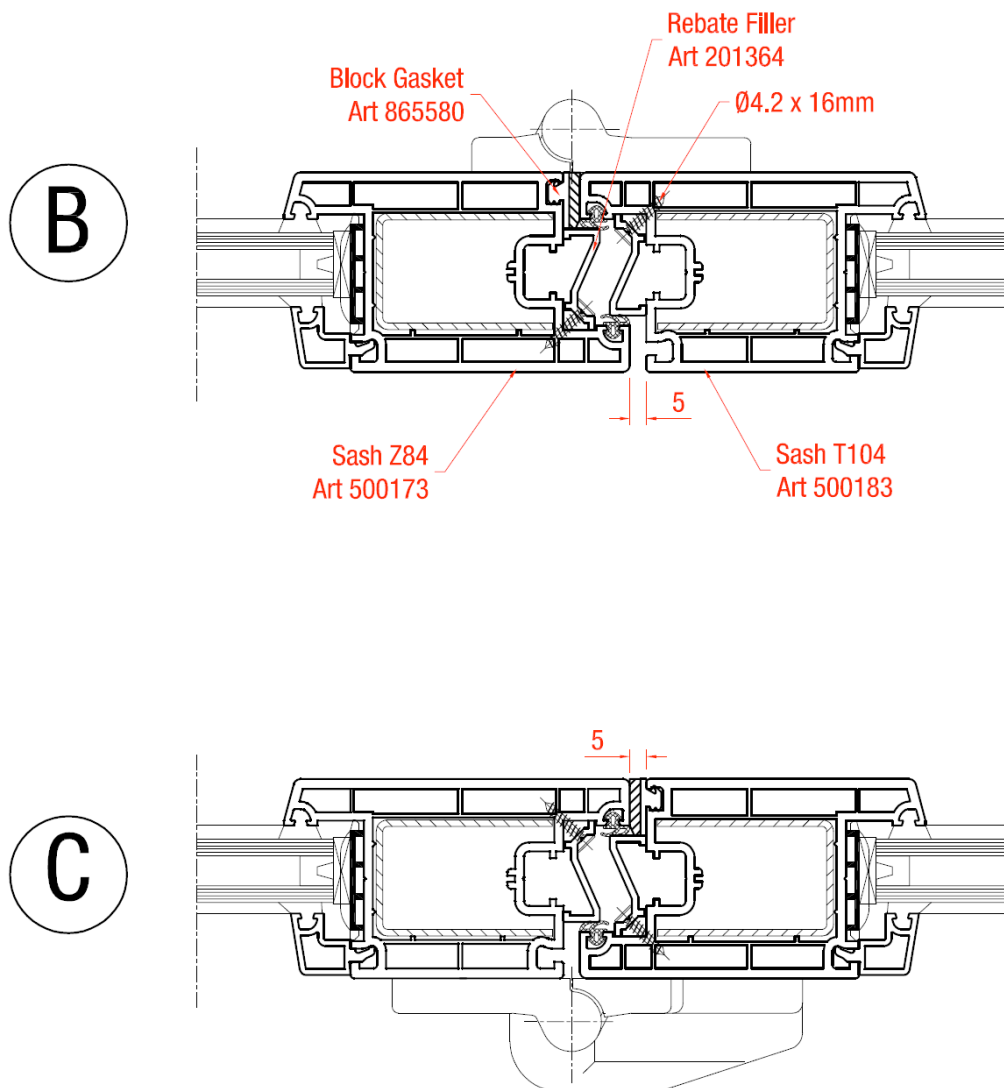


A



MULTI-FOLD DOOR

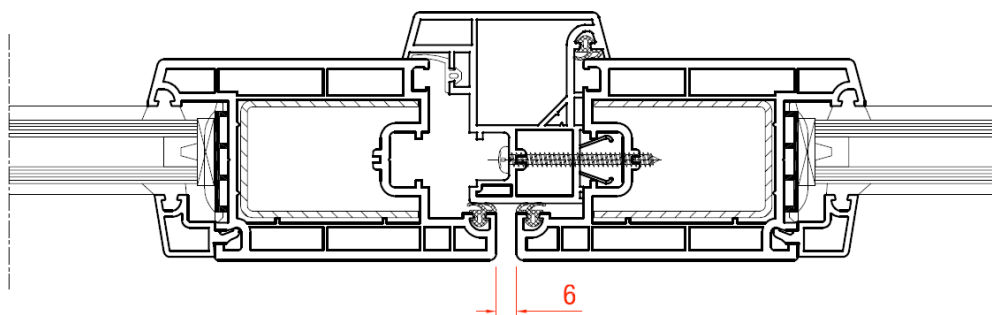
DETAIL DRAWINGS SEGMENT B & C



MULTI-FOLD DOOR

DETAIL DRAWINGS
SEGMENT D & E

D



E

