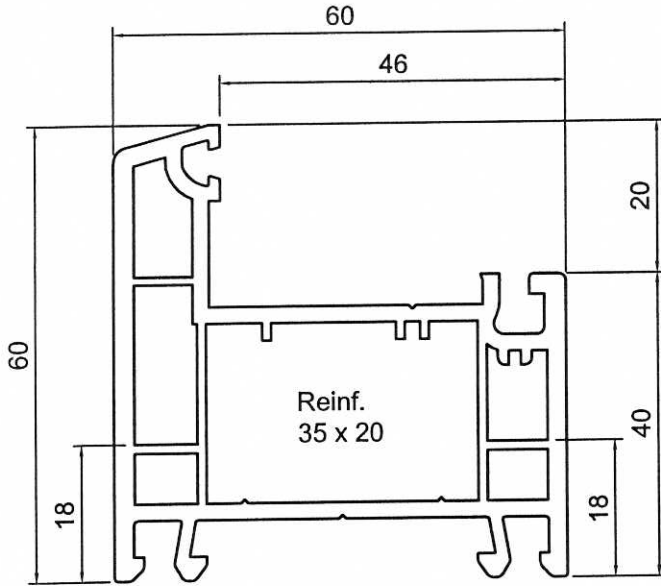
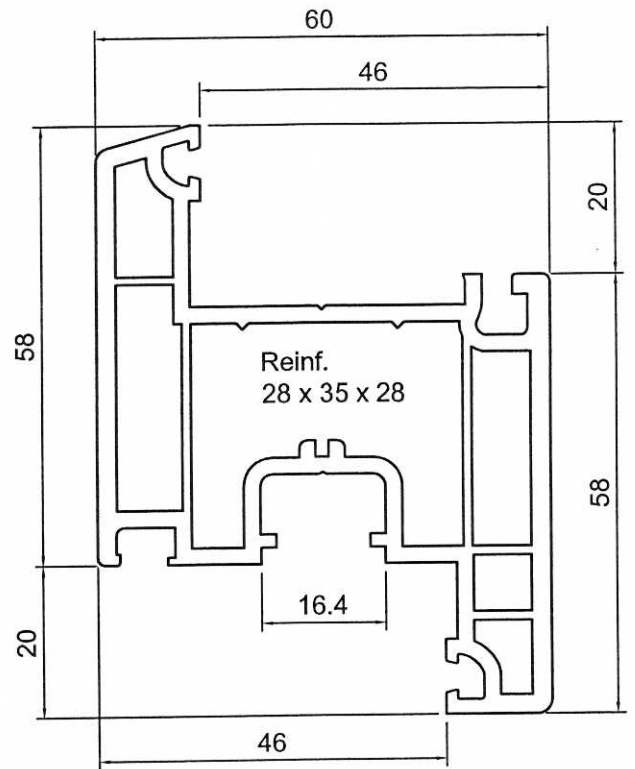


# REHAU-Prestige-Design S921 Profile Print

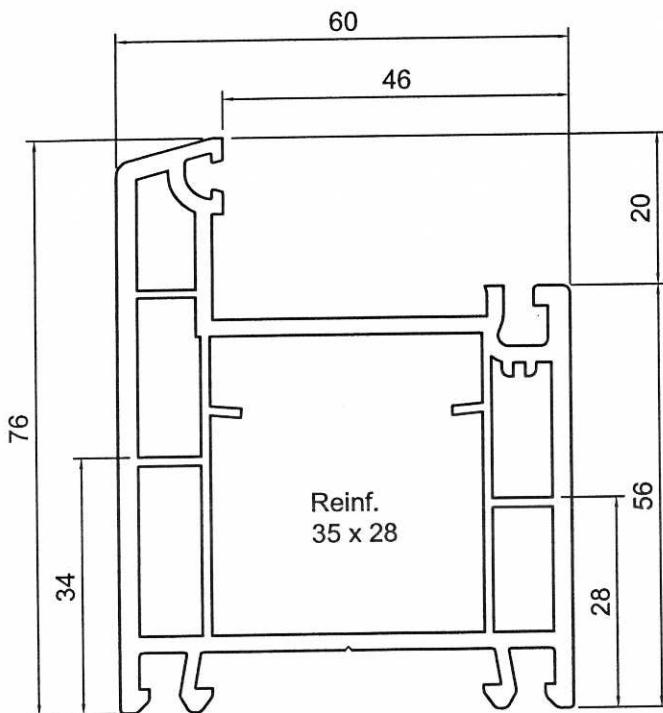
## Main Profiles



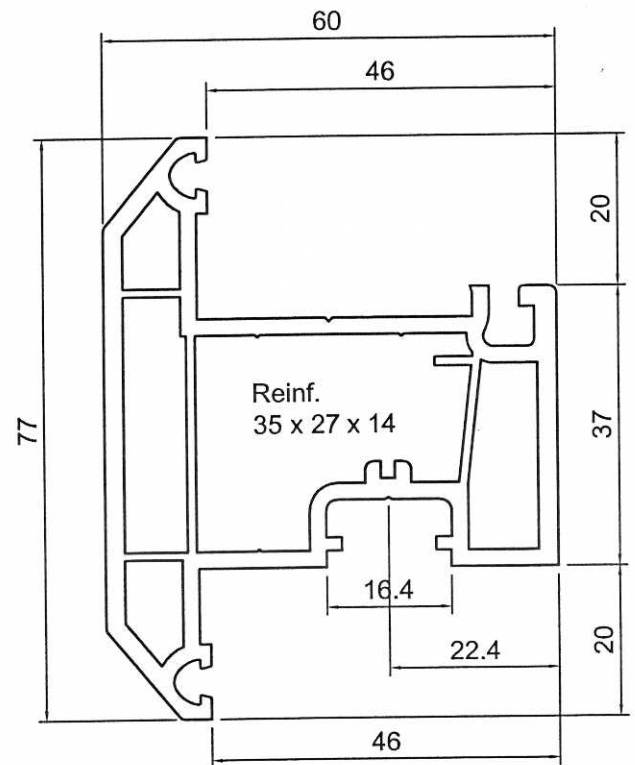
Art. 500113  
Frame 60



Art. 500153  
Sash Z58



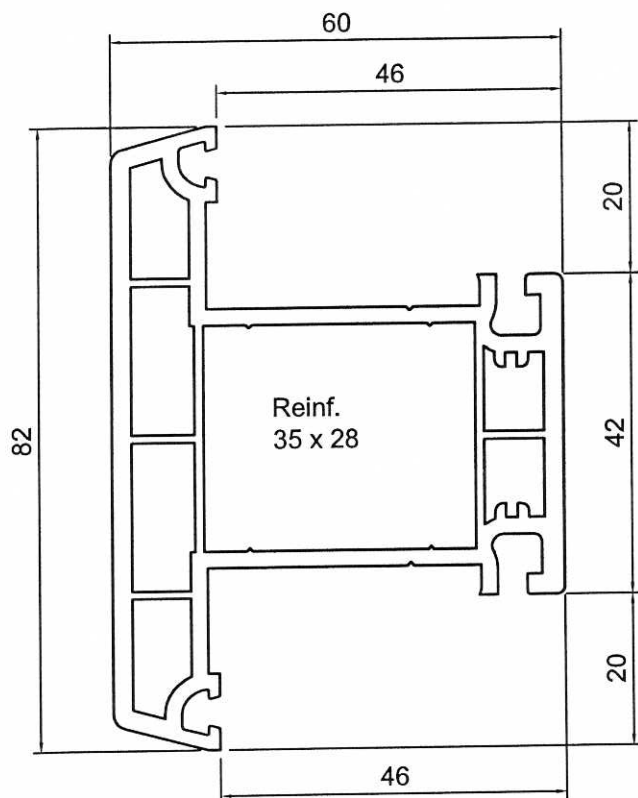
Art. 500123  
Frame 76



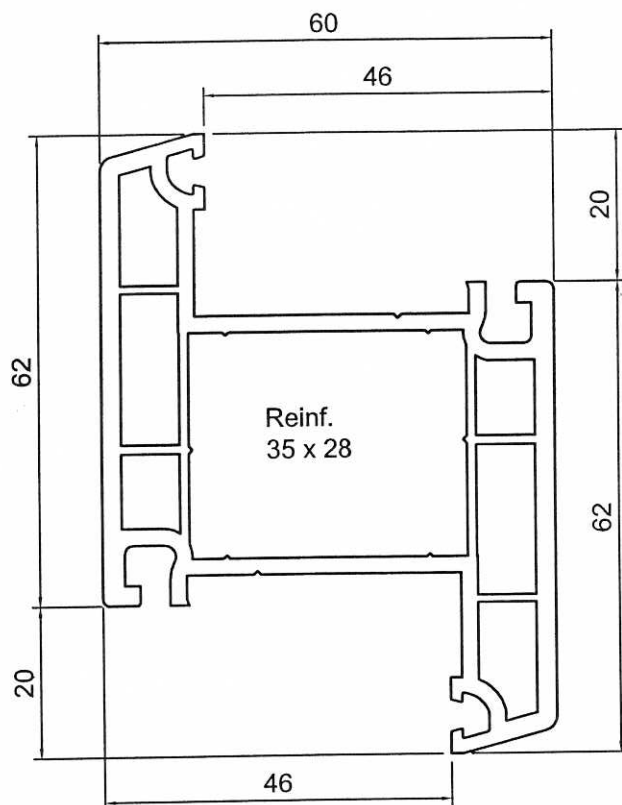
Art. 500163  
Sash T77

# REHAU-Prestige-Design S921 Profile Print

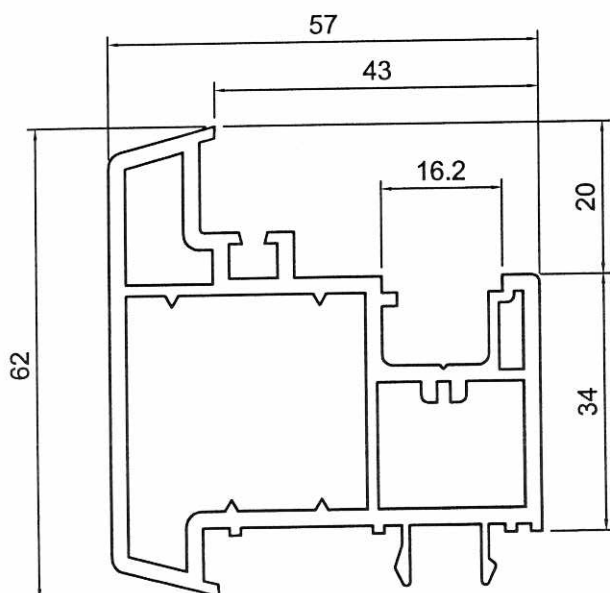
## Main Profiles



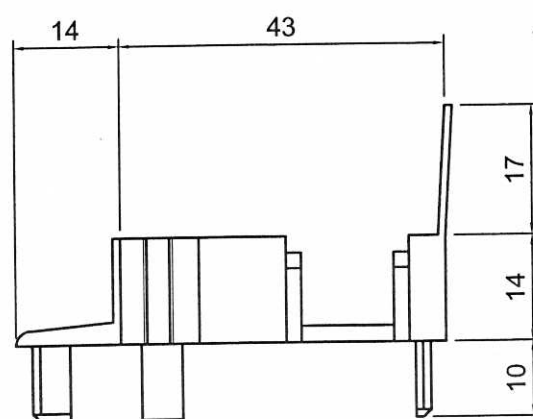
Art. 500213  
Mullion T 82



Art. 500223  
Mullion Z82



Art. 541100 \*  
Dummy Mullion



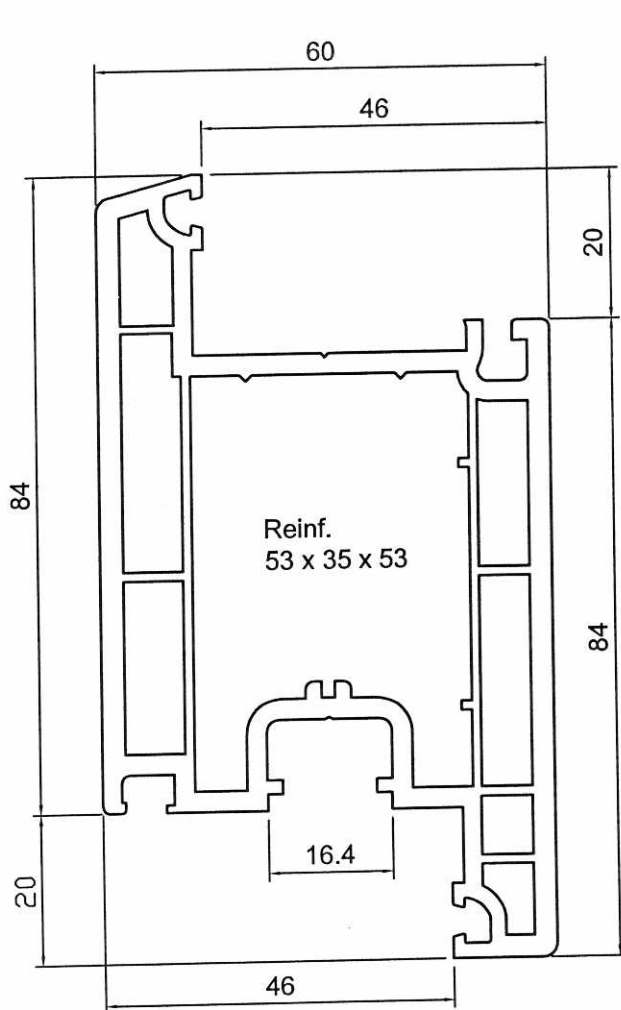
Art. 260961 (L) \*  
Art. 260971 (R) \*  
End Cap for Dummy Mullion

\* Non-Standard

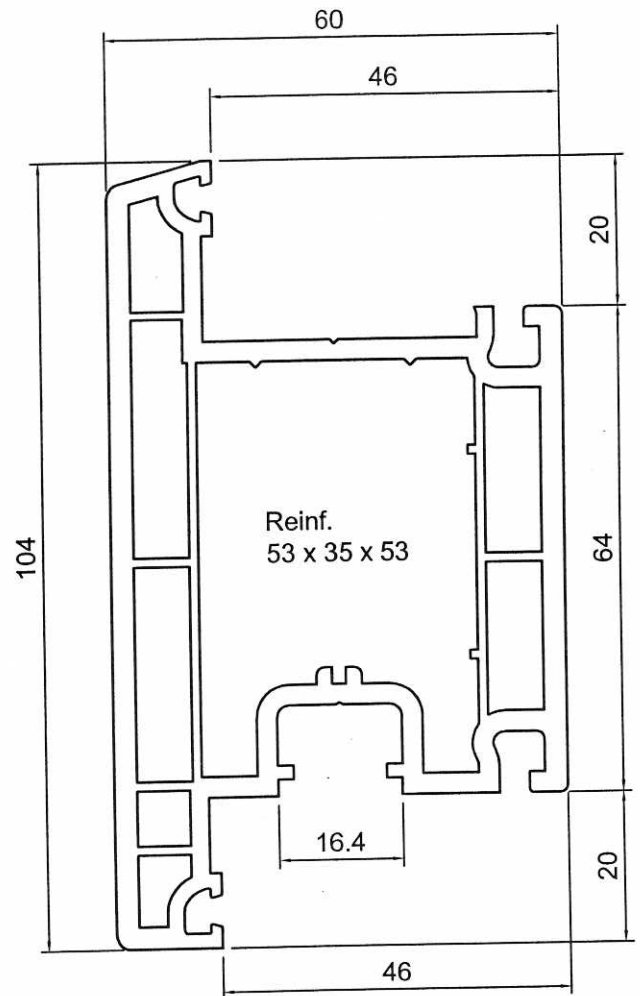
# REHAU-Prestige-Design S921

## Profile Print

### Main Profiles



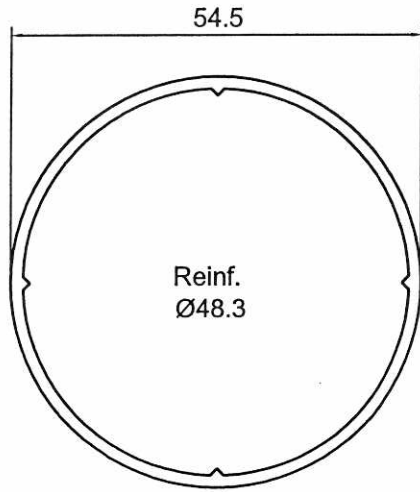
Art. 500173  
Door Sash Z84



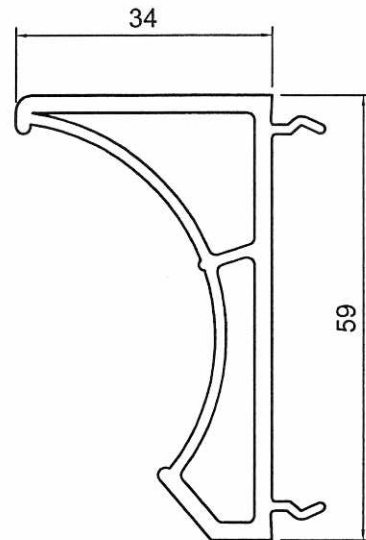
Art. 500183  
Door Sash T104

# REHAU-Prestige-Design S921 Profile Print

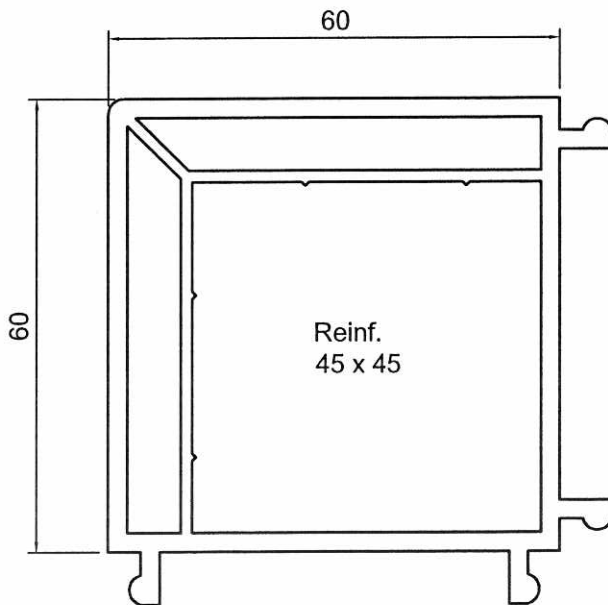
## Corner and Connector Profiles



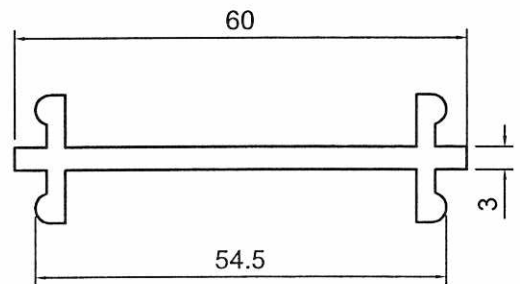
Art. 140551 \*  
Bay Pole



Art. 621082 \*  
Bay Profile 60



Art. 560290 \*  
Corner Mullion 60



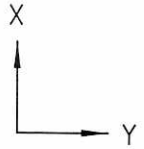
Art. 546300 \*  
Coupling Profile

\* Non-Standard

# REHAU-Prestige-Design S921

## Profile Print

### Steel Reinforcement Profiles

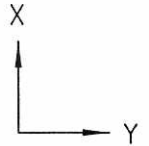


Reinforcement	Thickness Art. No.	PVC profile art. No.	$I_x \text{ cm}^4$	$I_y \text{ cm}^4$
	1.5 mm Art. 221876	Frame 60	2.5	1.2
	2.0 mm Art. 221877 2.5 mm Art. 221875	Frame 76 Mullion T82 Mullion Z82	3.8 4.5	2.7 3.6
	1.5 mm Art. 221874	Sash Z58 Frame 76	2.7	1.1
	1.5 mm Art. 221872	Sash T77	1.2	0.4

# REHAU-Prestige-Design S921

## Profile Print

### Steel Reinforcement Profiles



Reinforcement	Thickness Art. No.	PVC profile art. No.	$I_x \text{ cm}^4$	$I_y \text{ cm}^4$
	1.5 mm Art. 221873	Sash T77	1.2	0.4
	2.0 mm Art. 221871	Sash Z84 Sash T104	5.9	7.4
	2.0 mm Art. 221870	Reinforcement Profile	7.4	1.7
	3.0 mm Art. 258831 #		10.0	2.2

# articles to be order from Germany