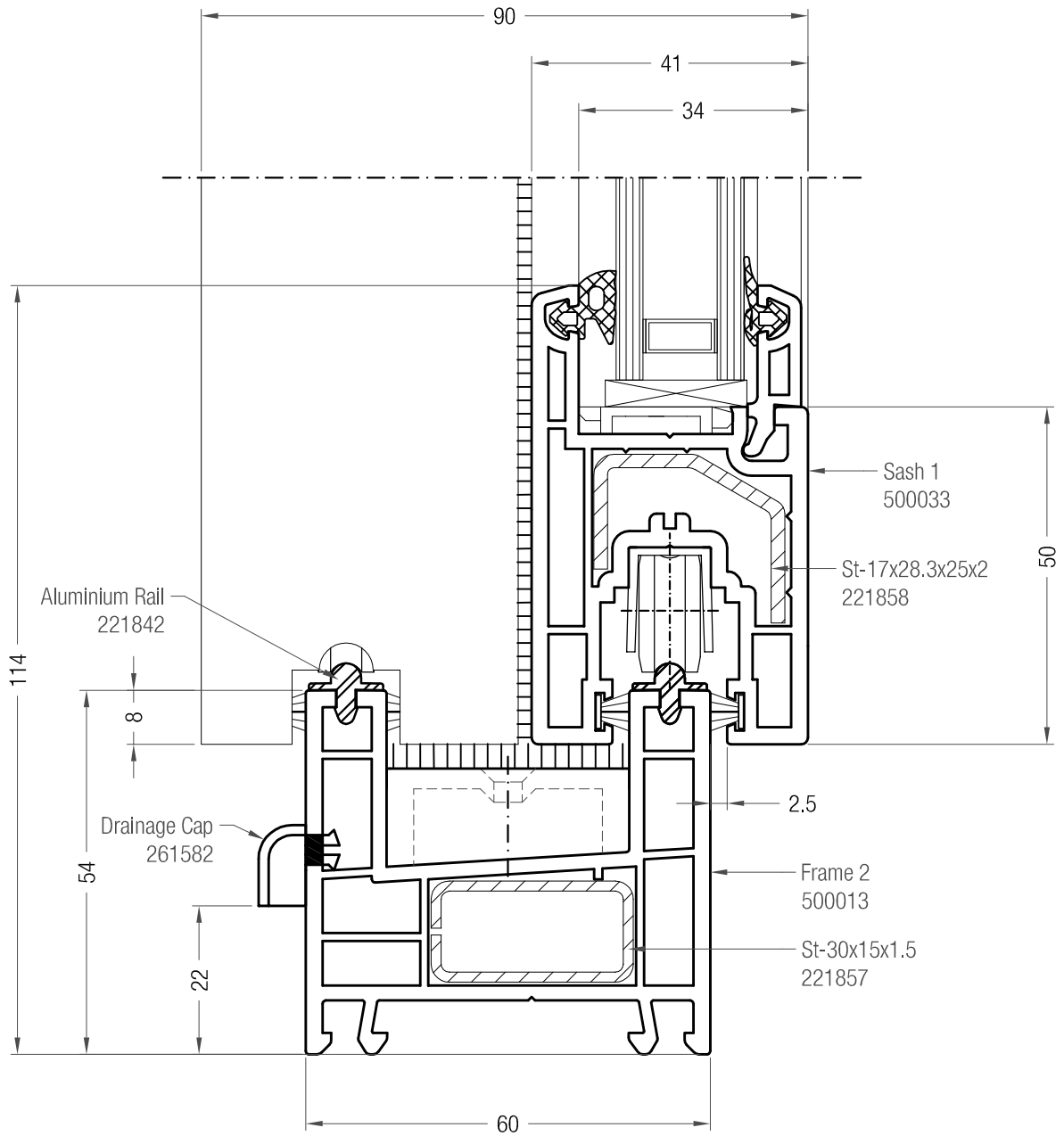
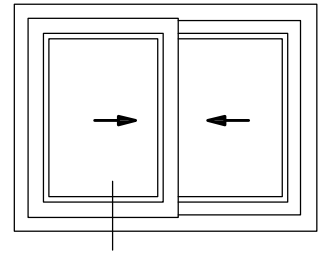


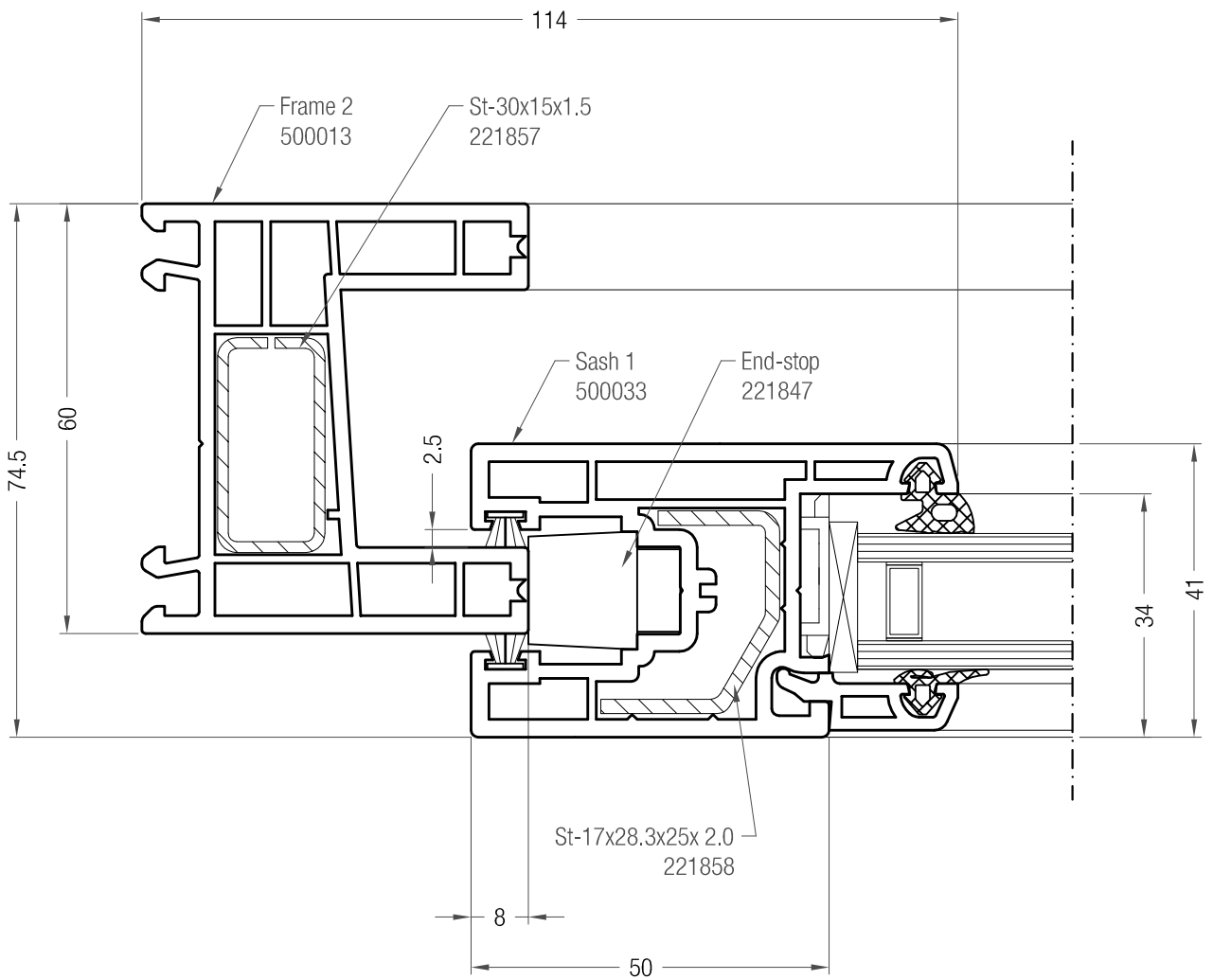
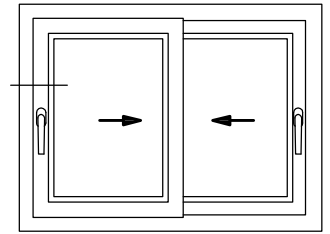
Detail Drawing - Sliding Window, 2-track, 2-panel

Frame 2 / Sash 1 (bottom)



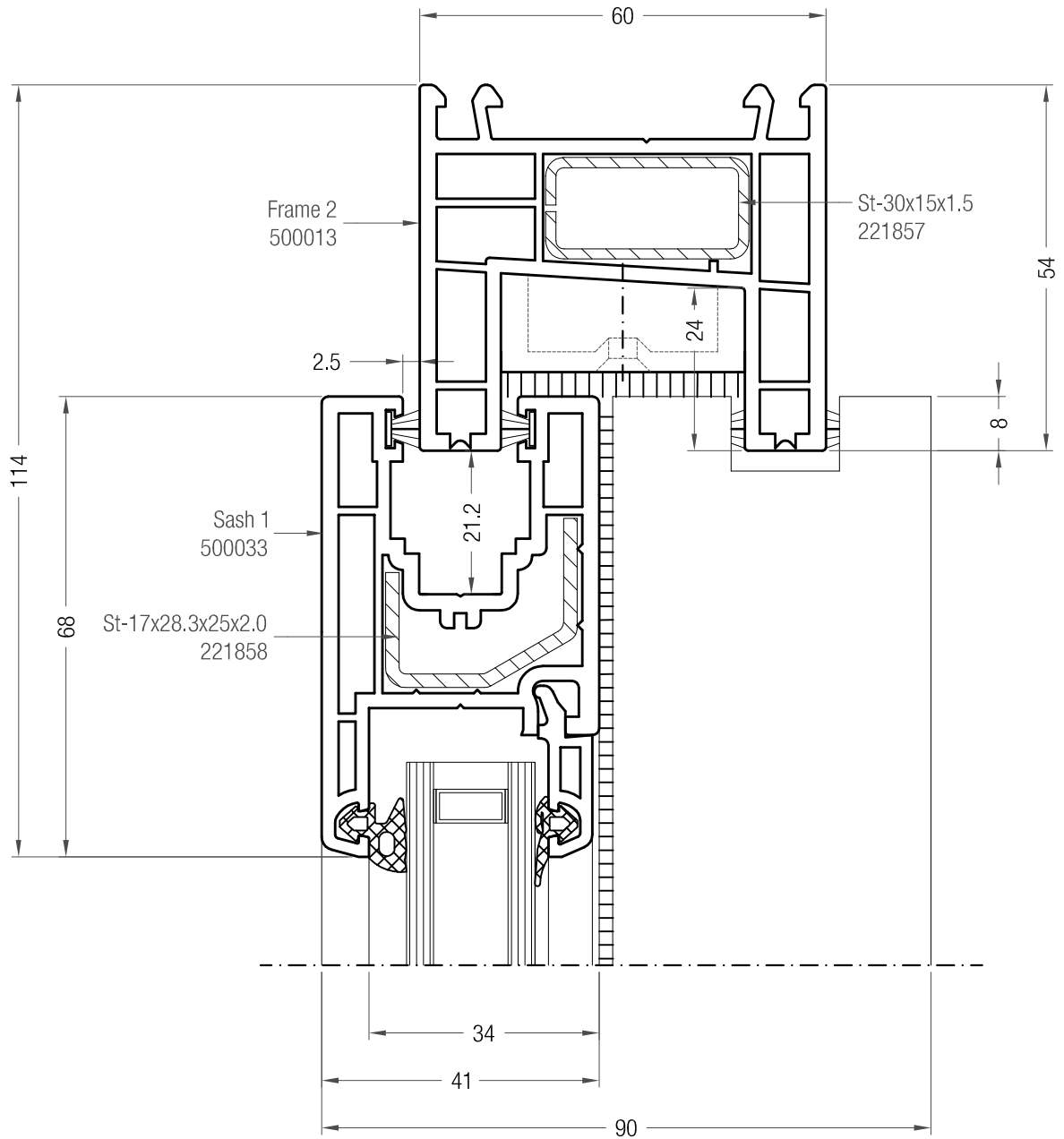
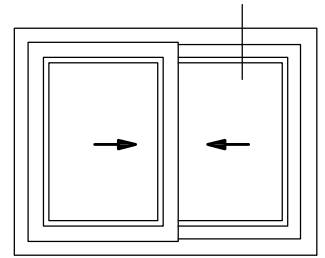
Detail Drawing - Sliding Window, 2-track, 2-panel

Frame 2 / Sash 1 (side)



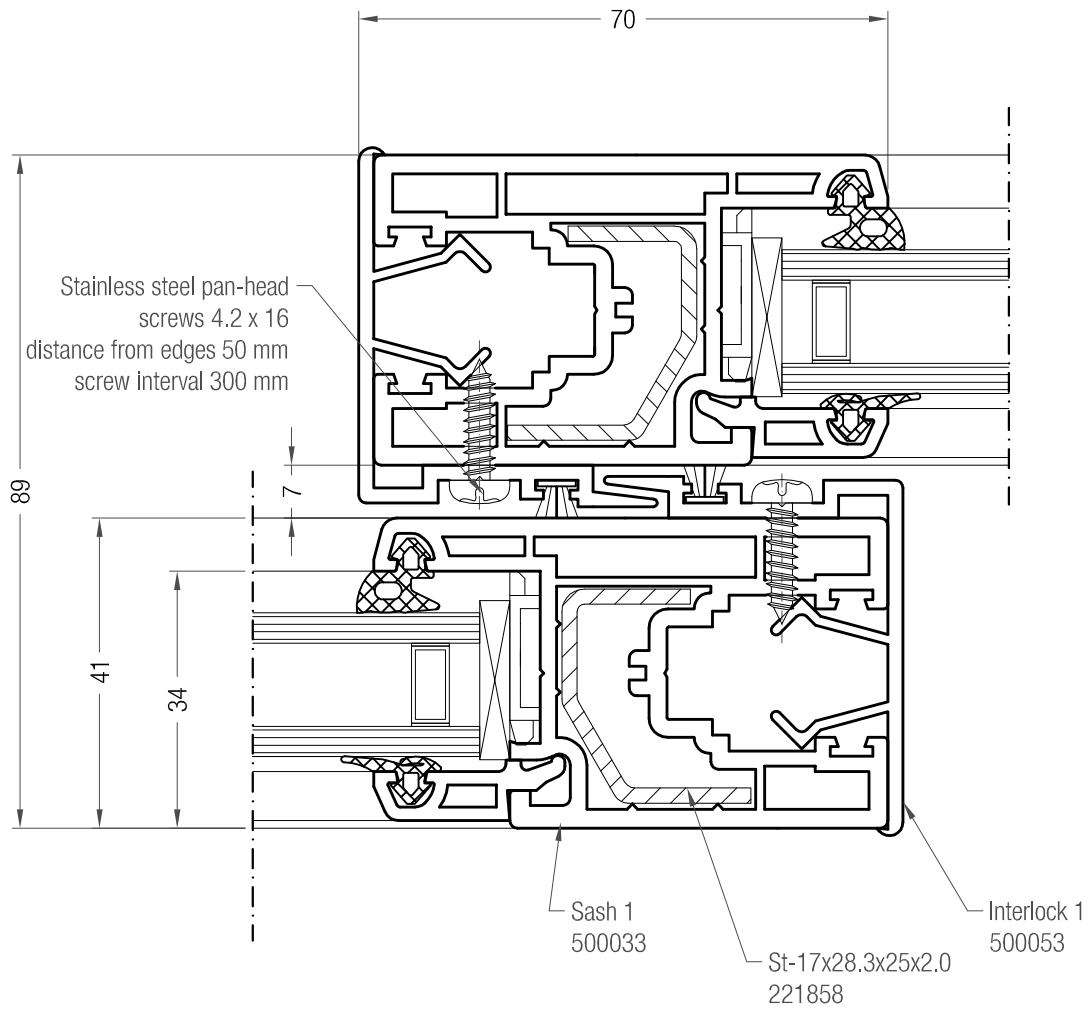
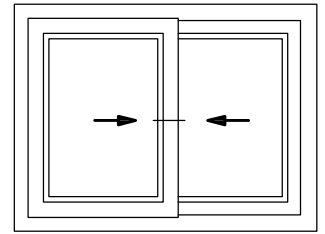
Detail Drawing - Sliding Window, 2-track, 2-panel

Frame 2 / Sash 1 (top)



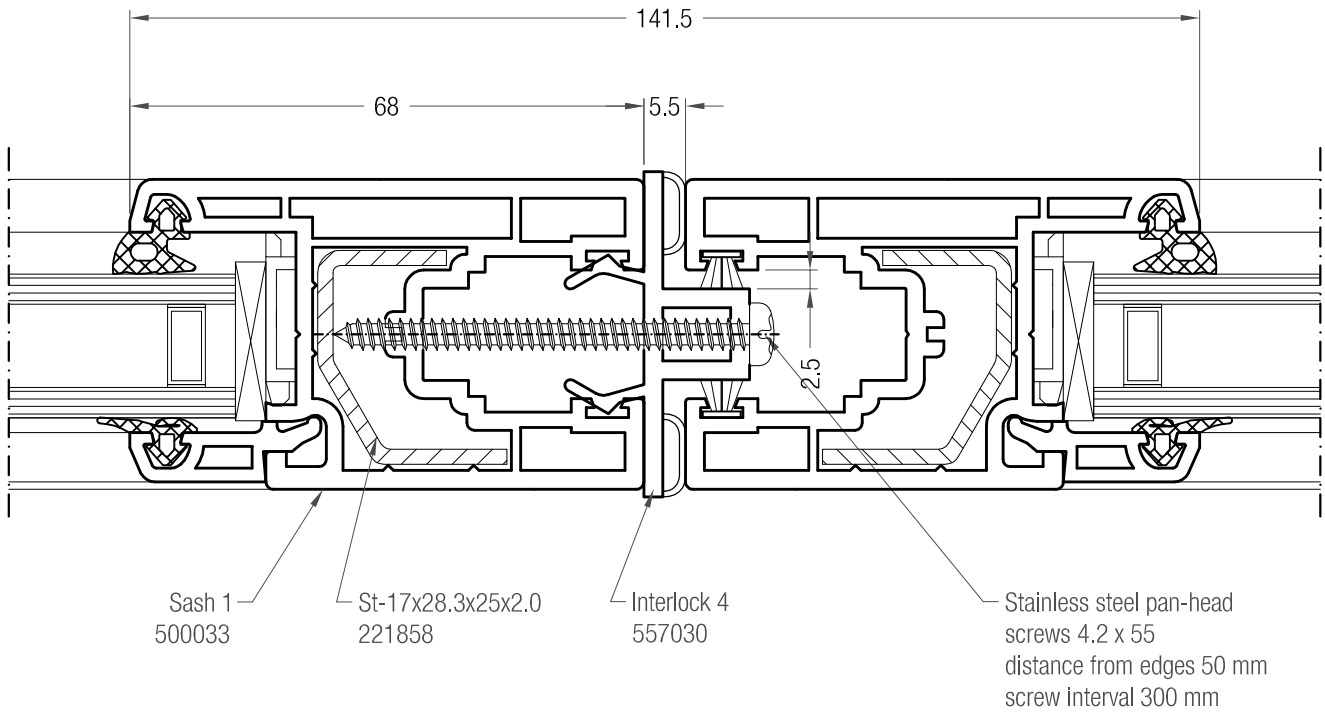
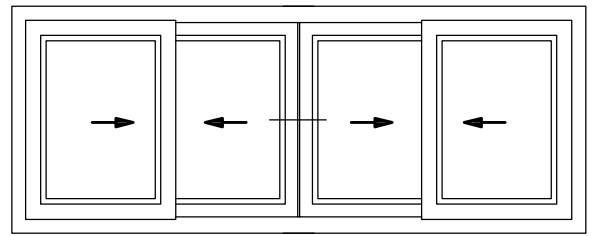
Detail Drawing - Sliding Window, 2-panel, 2-track

Frame 2 / Interlock 1



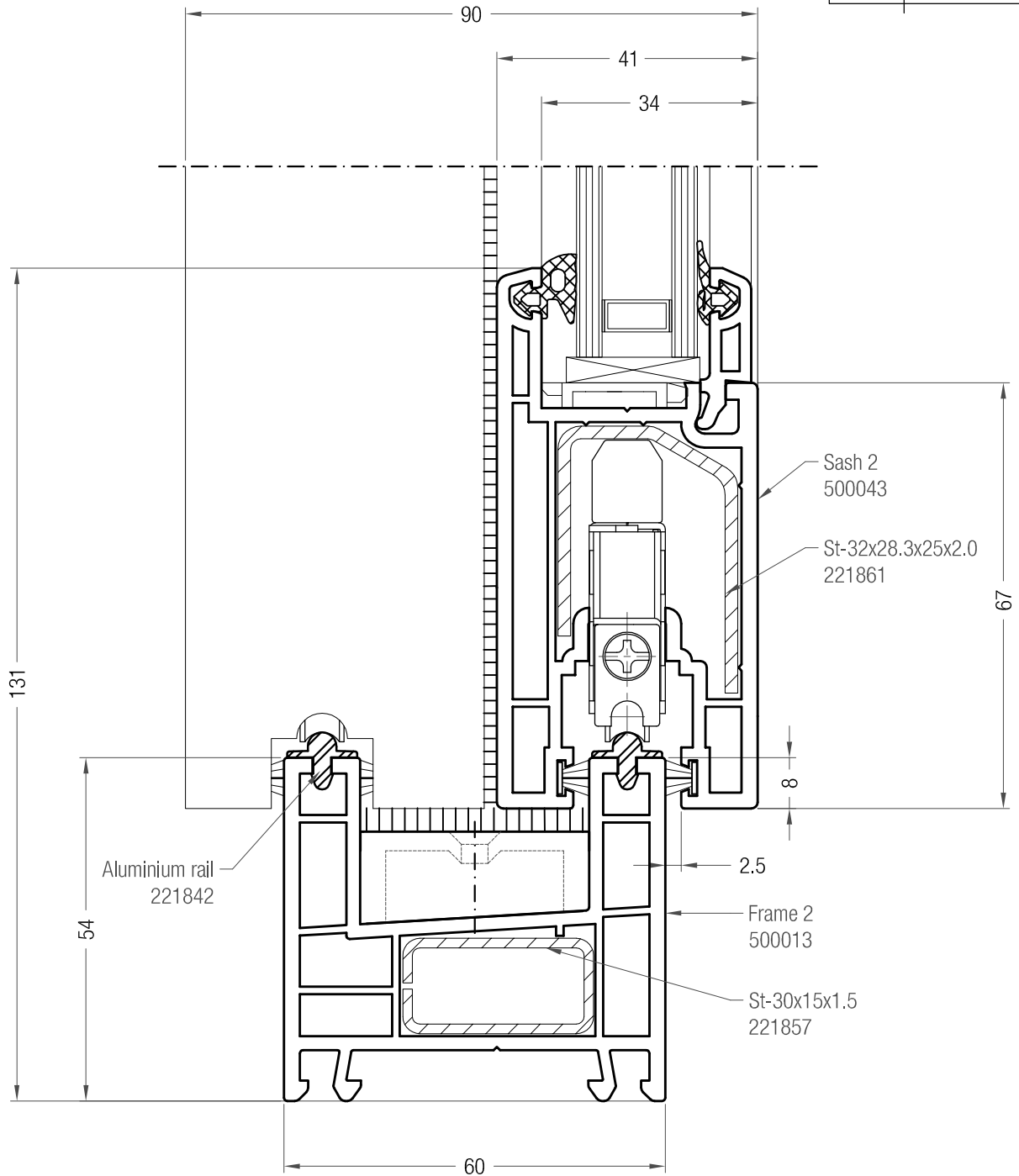
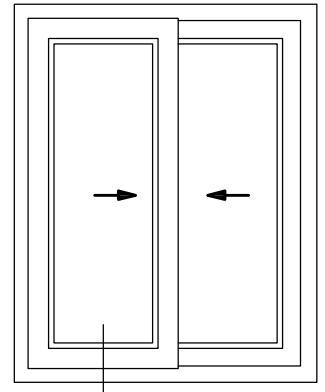
Detail Drawing - Sliding Window, 4-panel, 2-track

Sash 1 / Interlock 4



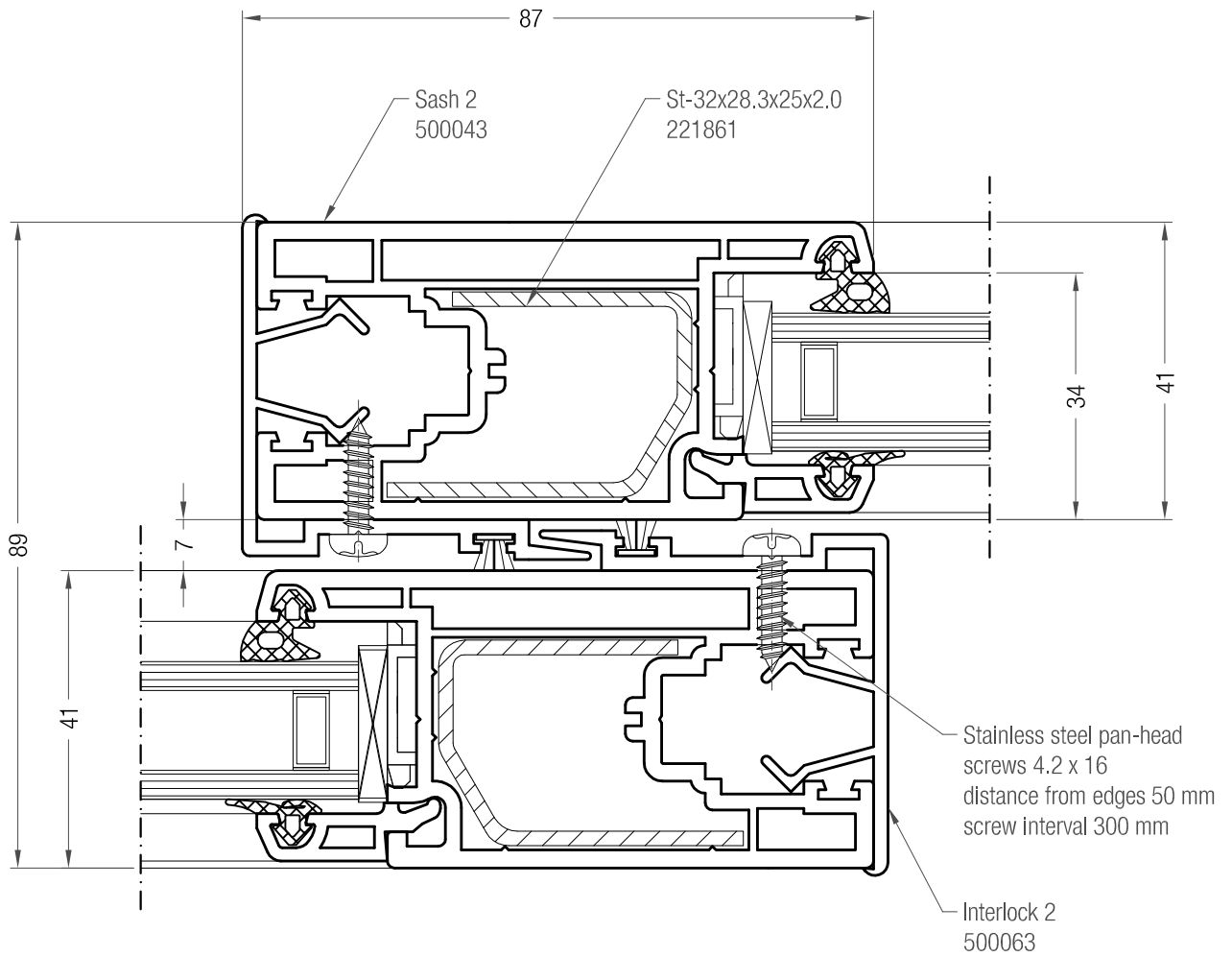
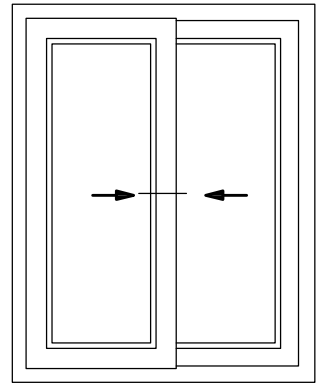
Detail Drawing - Sliding Door, 2-panel, 2-track

Frame 2 / Sash 2 (bottom)



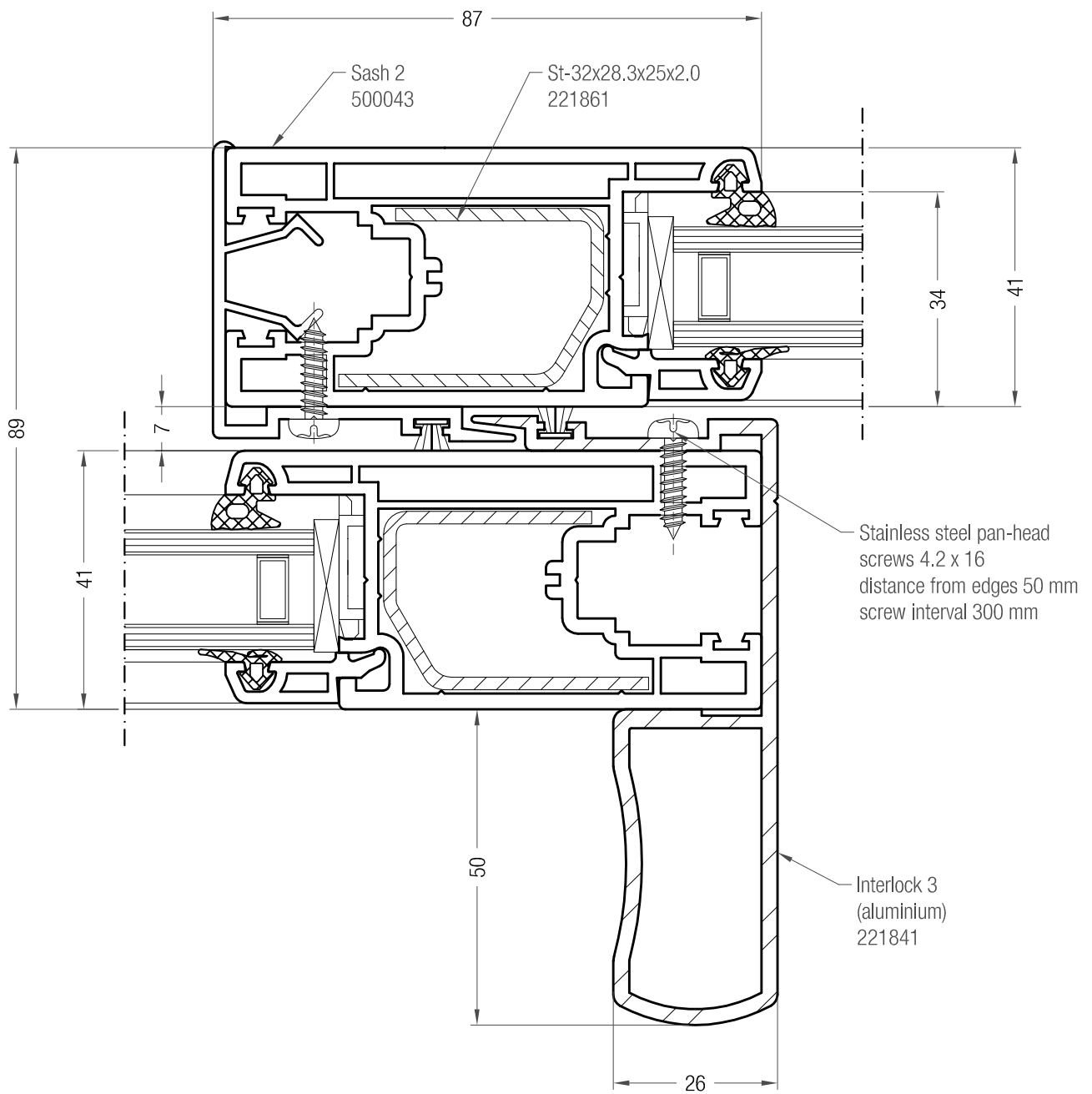
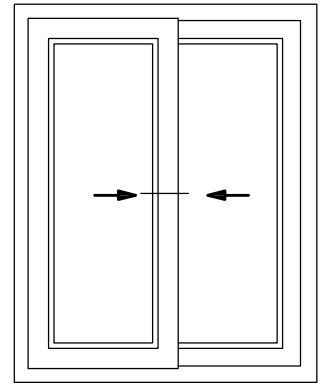
Detail Drawing - Sliding Door, 2-panel, 2-track

Sash 2 / Interlock 2



Detail Drawing - Sliding Door, 2-panel, 2-track

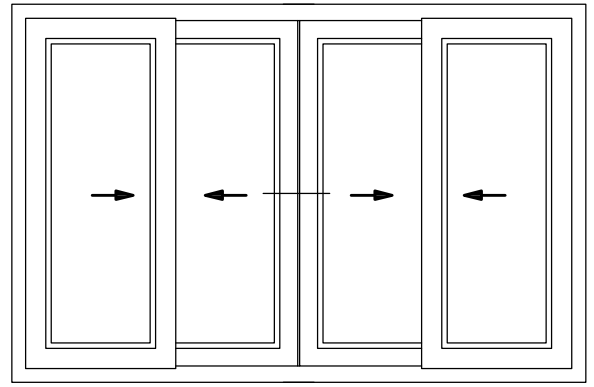
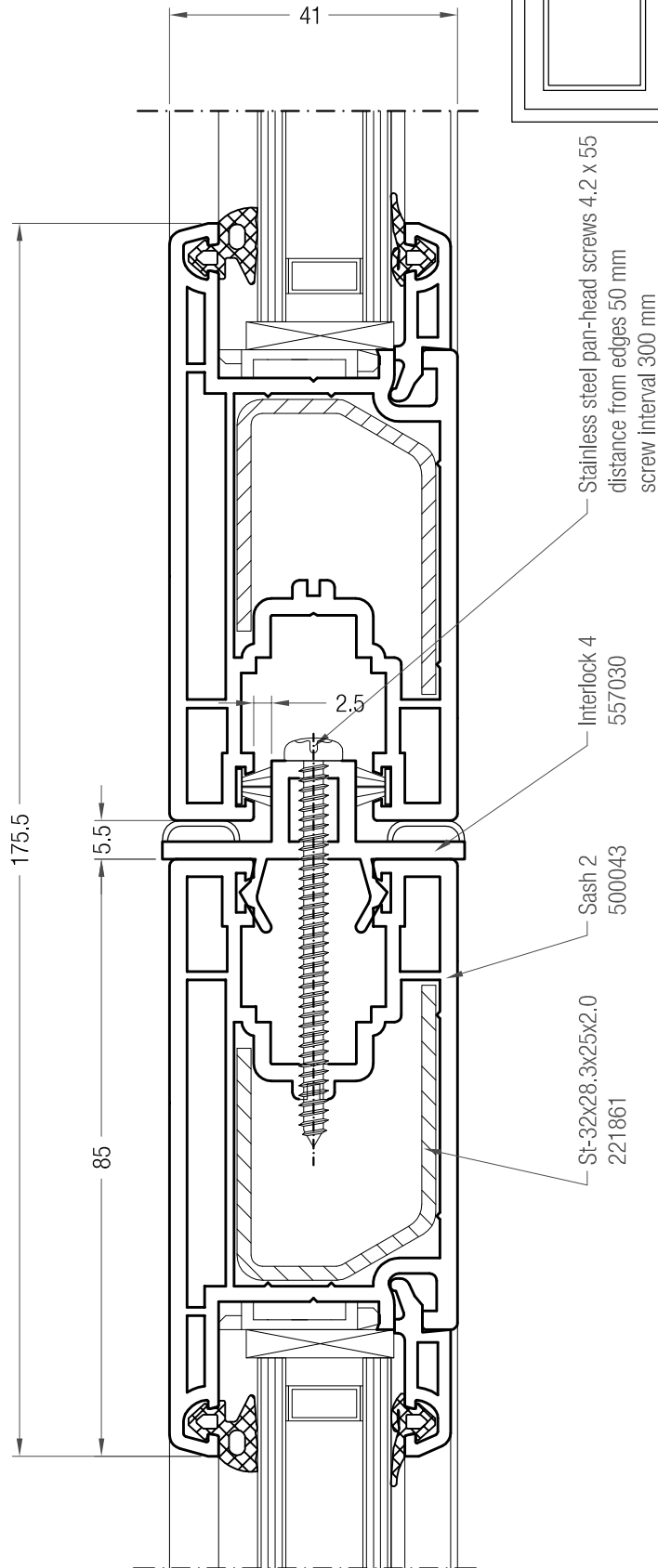
Sash 2 / Interlock 3 (aluminium)





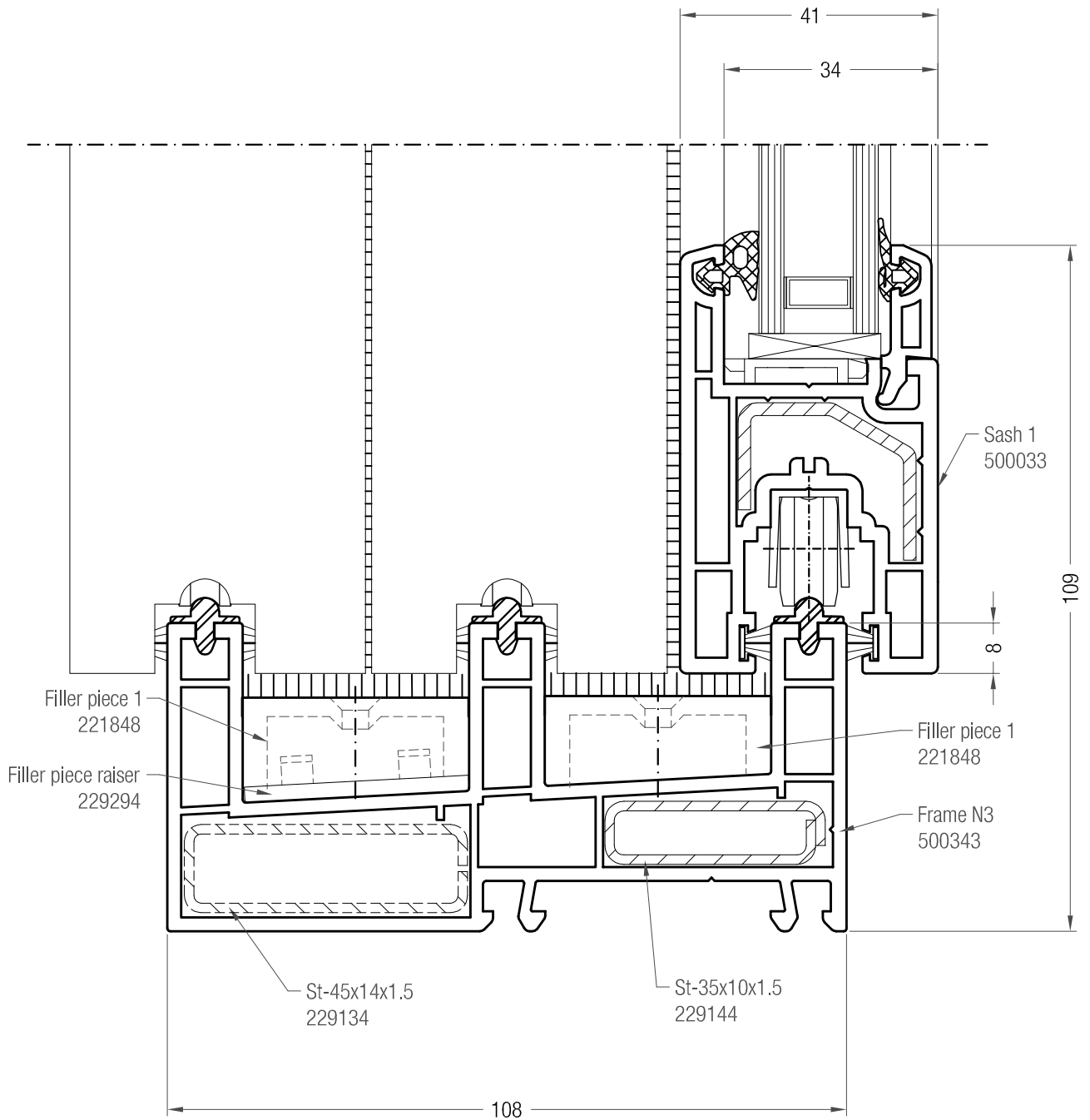
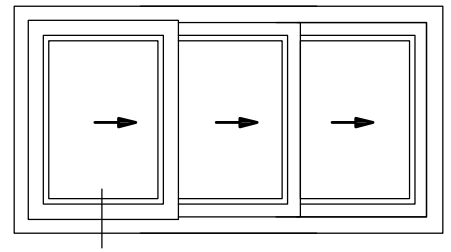
Detail Drawing - Sliding Door, 4-panel, 2-track

Sash 2 / Interlock 4



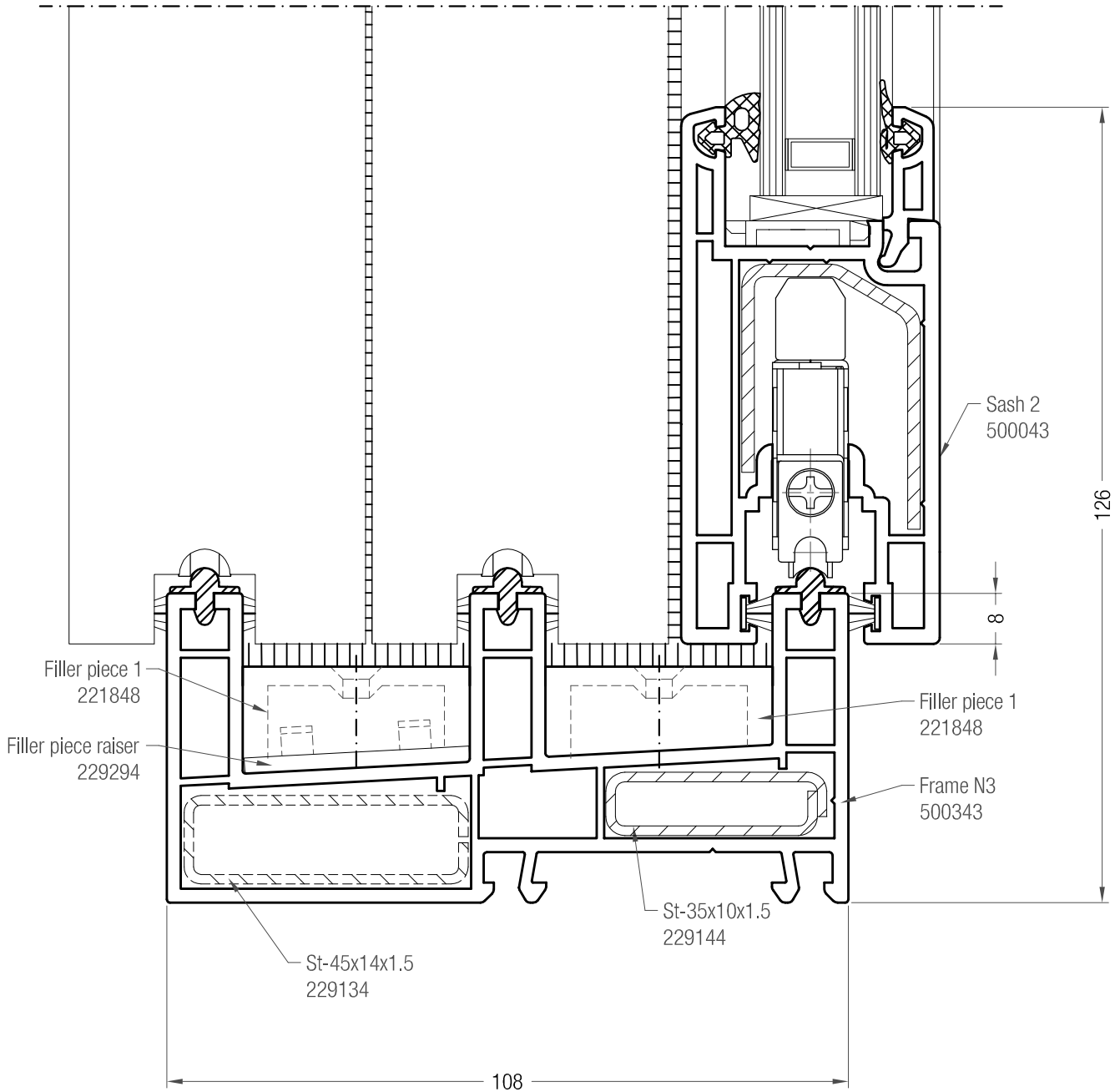
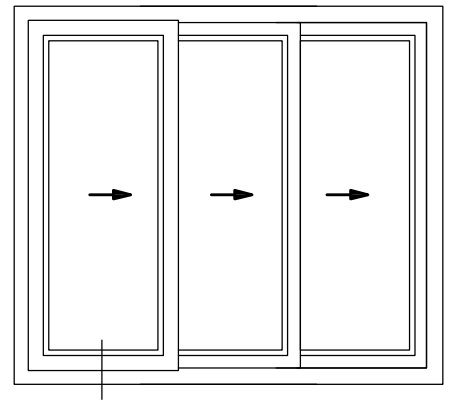
Detail Drawing - Sliding Window, 3-panel, 3-track

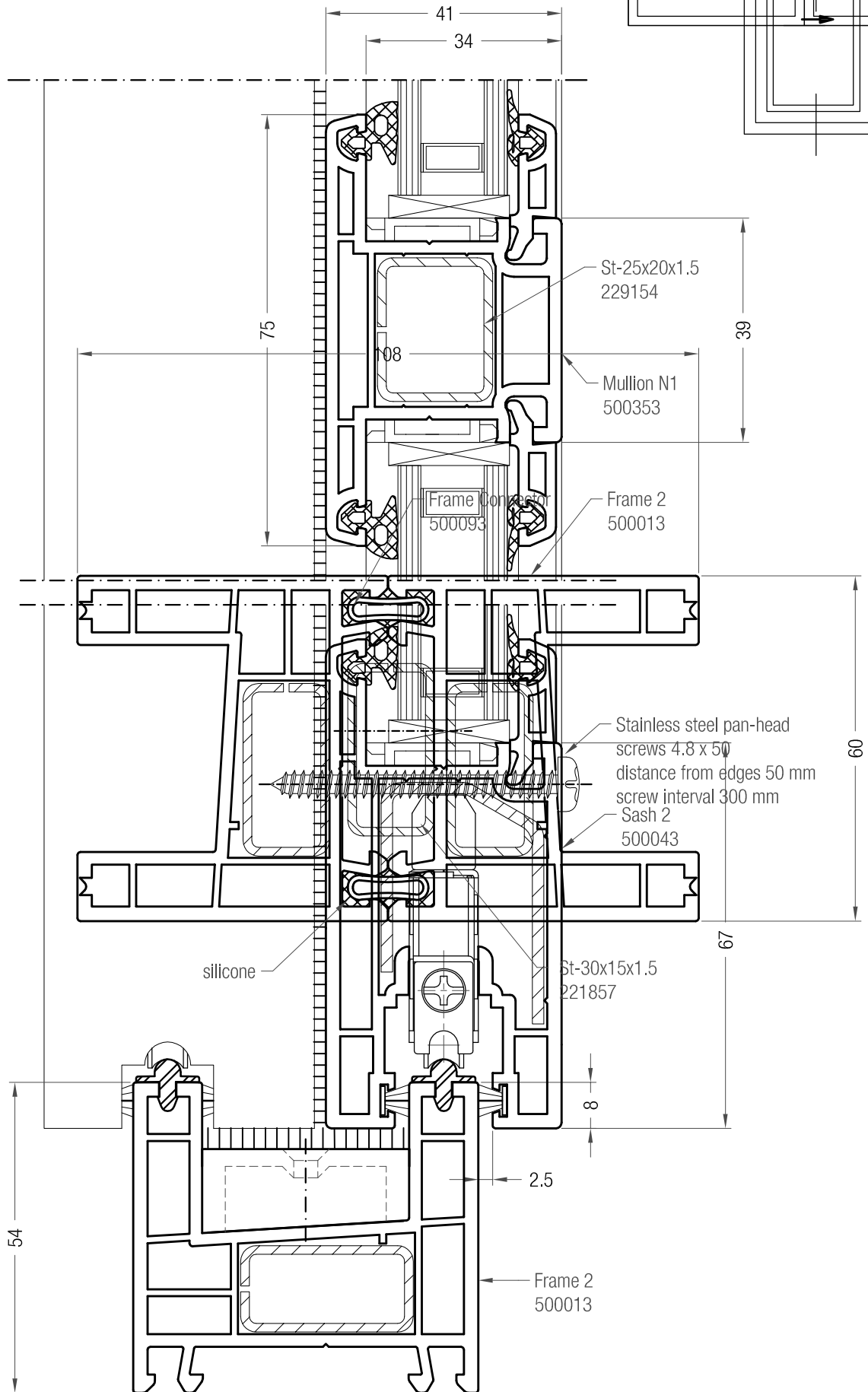
Frame N3 / Sash 1 (bottom)

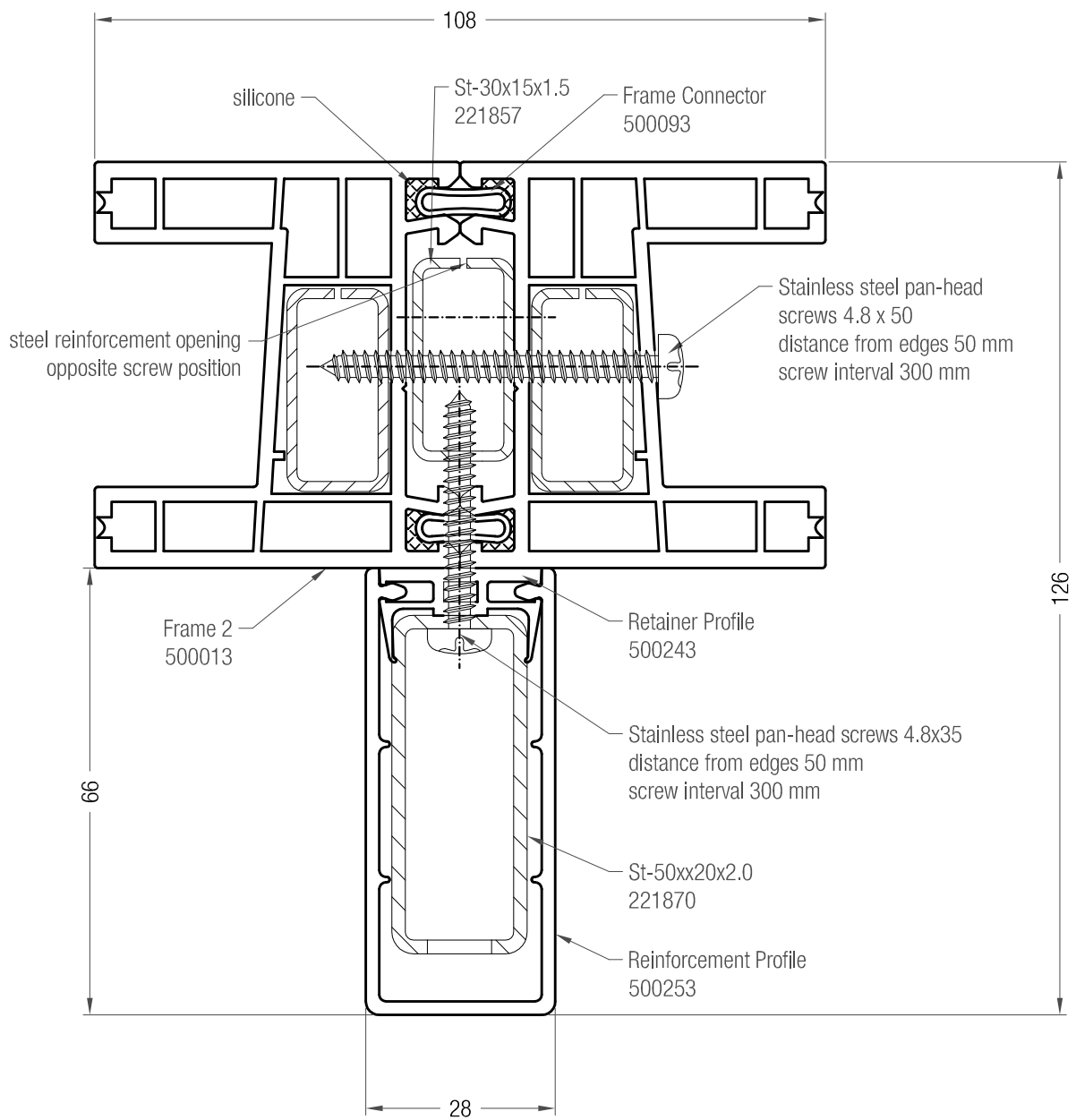
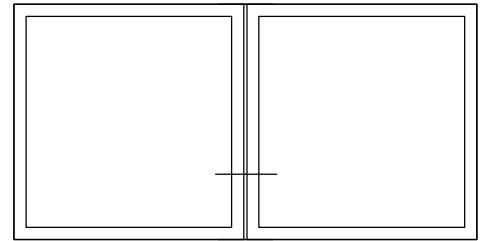


Detail Drawing - Sliding Door, 3-panel, 3-track

Frame N3 / Sash 2 (bottom)







Detail Drawing - 90° Corner-Turn Connection

Frame 2 / Corner Mullion 60 / Frame 1

