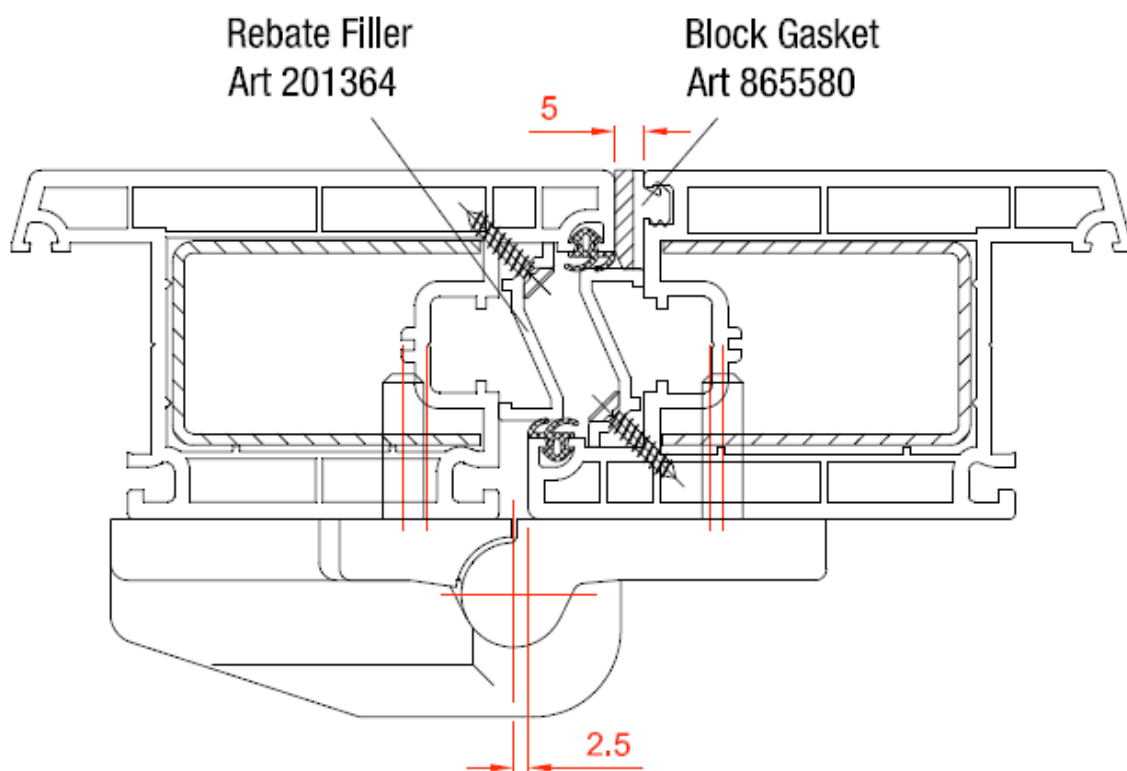
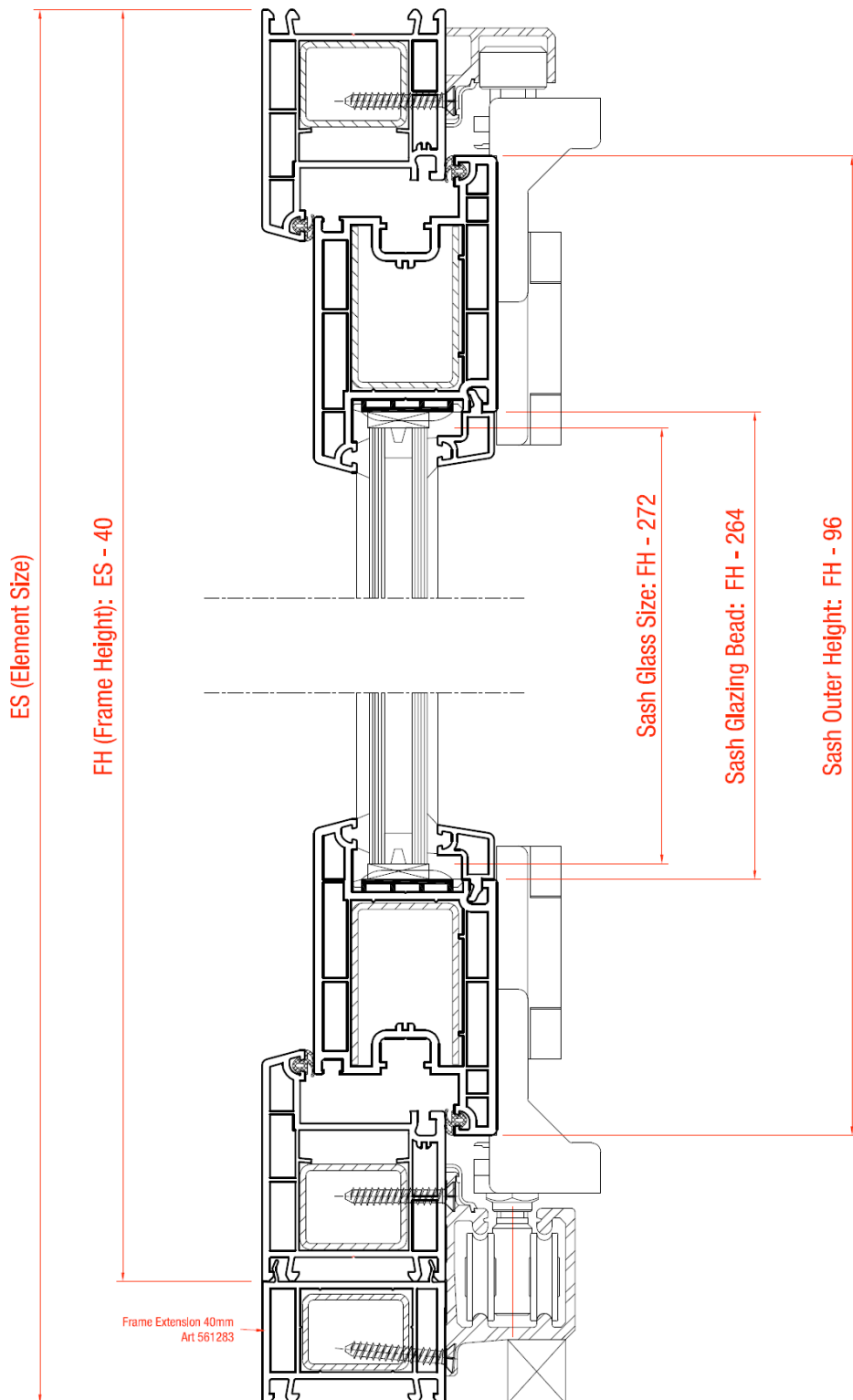


REHAU PRESTIGE DESIGN MULTI-FOLD DOOR



REHAU PRESTIGE DESIGN MULTI-FOLD DOOR

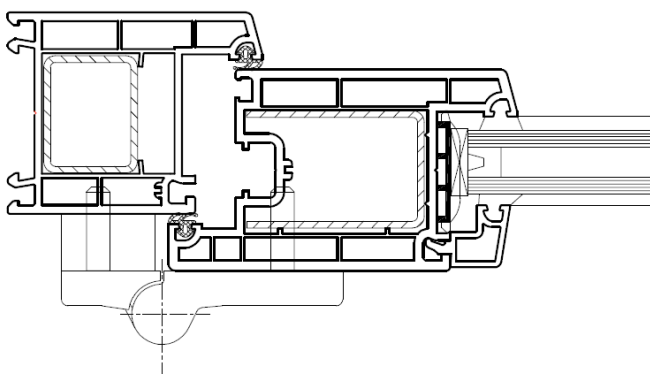
VERTICAL ELEVATION REDUCTIONS
BOTTOM RUNNING CONFIGURATION WITH SIEGENIA-AUBI HARDWARE



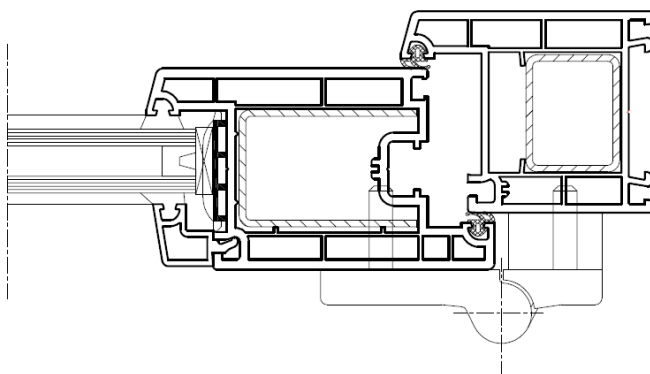
REHAU PRESTIGE DESIGN MULTI-FOLD DOOR

DETAIL DRAWINGS
SEGMENT A & A

A

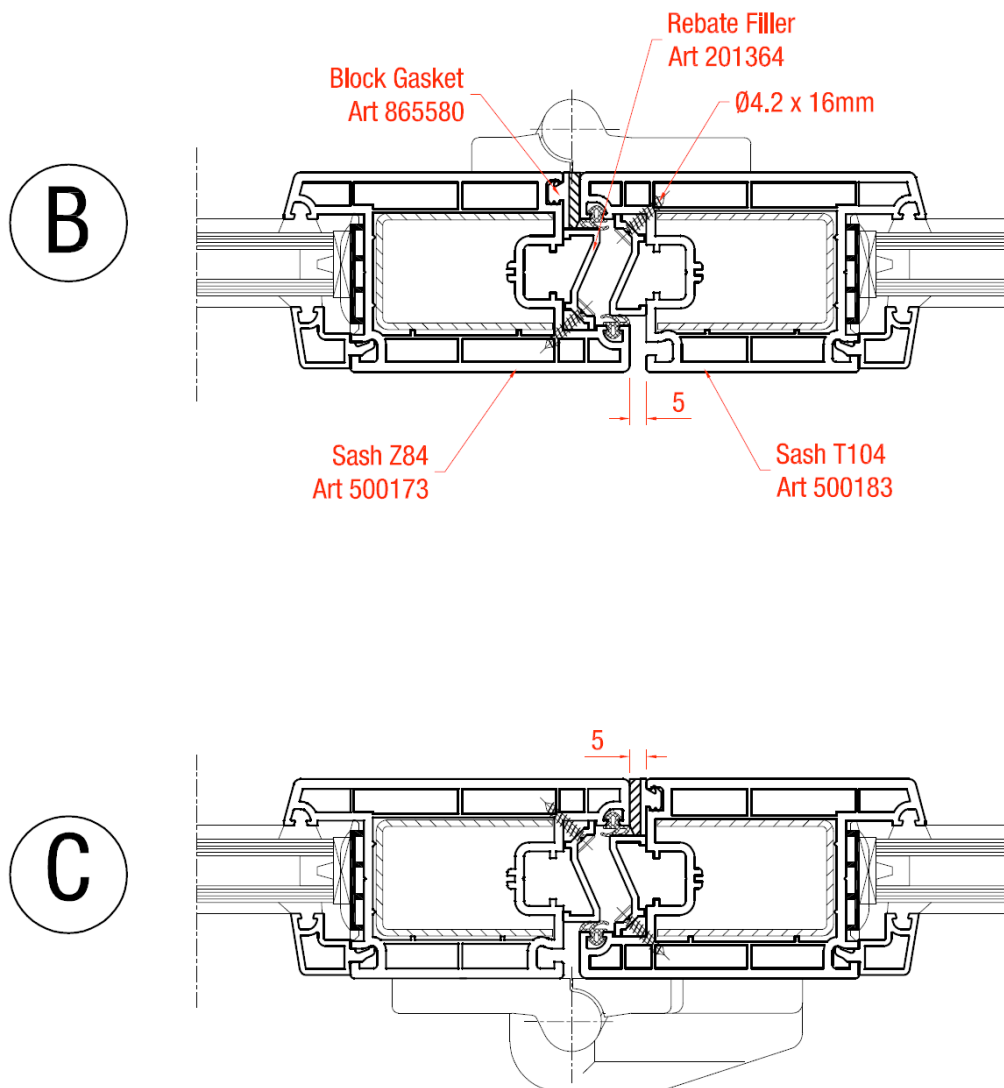


A



REHAU PRESTIGE DESIGN MULTI-FOLD DOOR

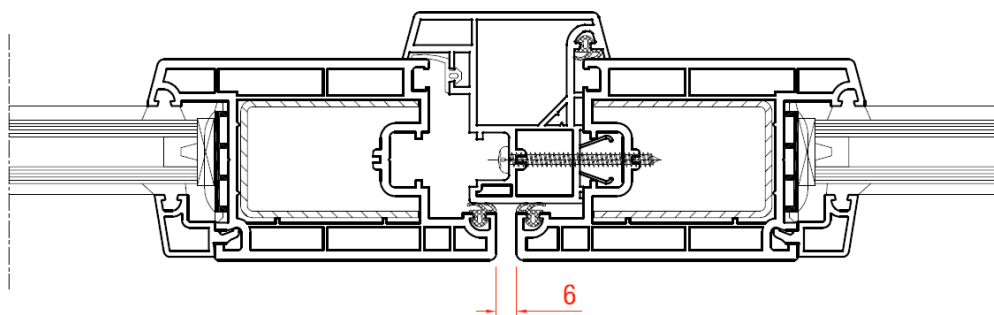
DETAIL DRAWINGS
SEGMENT B & C



REHAU PRESTIGE DESIGN MULTI-FOLD DOOR

DETAIL DRAWINGS
SEGMENT D & E

D



E

